

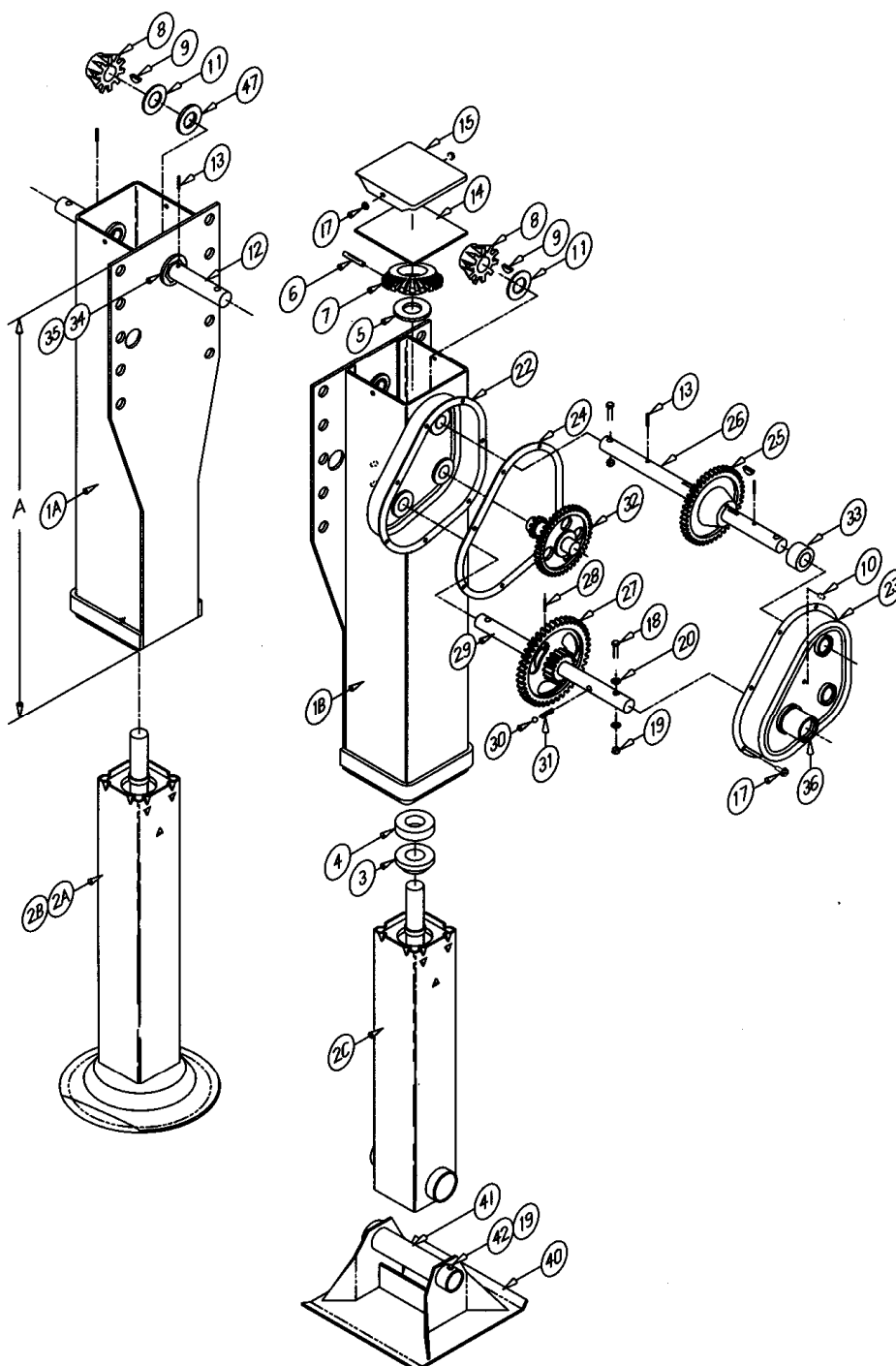
# Barry Stoodley Pty Ltd



GO THE DISTANCE.

## LANDING GEAR

Spare Parts  
LG5000



# Barry Stoodley Pty Ltd



## LANDING GEAR

Spare Parts  
LG5000

Item	Part Number	Description	Qty
1A	N/A	Upper housing, L.H.	1
1B	N/A	Upper housing, R.H. w/gearbox half	1
2A	N/A	Retract tube ass'y. 10" dia. S.F.	2
2B	N/A	Retract tube ass'y. 12" dia S.F.	2
2C	N/A	Retract tube ass'y. axle socket	2
3	XBLG0544	Collar	2
4	XBBRG01377	Thrust bearing	2
5	XBPW01662	Washer	2
6	XBGP05221	Groove pin 3/8 x 2	2
7	XALG057001	Bevel gear	2
8	LG053102	Pinion gear	2
9	XBKEY01802	Woodruff key	3
10	XBGRF02216	Grease fitting, 1/4 28	5
11	XBPW01619	Thrust washer	2
12	LG0259	Jack shaft L.H. universal	1
13	XBSP01427	Spring pin 1/4 x 1 1/2	4
14	XBLG0413	Cover gasket	2
15	LG0264	Top cover	2
16	LG1430	Tag. date of manufacture (not shown)	2
17	XBSTS00811	Self tapping screw	11
18	XBHHC05042	Screw, hex. cap 3/8 16 x 2 1/4	3
19	XBSLN01204	Self locking nut 3/8 16	5
20	XBPW01603	Washer 3/8 std. type A	2
21	XBLG0668	Seal, gearbox to HSG (not shown)	1
22	XBLG0662	Gearbox half, inside	1
23	XBLG0663	Gearbox half, outside	1
24	XBLG0428	Gearbox gasket	1
25	LG054301	Output gear	1
26	LG0260	Jack shaft R.H. universal	1
27	LG0541 01	Input gear	1
28	XBGP01407	Groove pin, type E 1/4 x 1 1/2	1
29	LG026101	Shift shaft, universal	1
30	XBBAL02307	Shift lock ball, stainless stl.	1
31	XBSPG02036	Shift lock spring, galvanized	1
32	XBLG054201	Idler gear	1
33	XBLG021901	Spacer bushing	1
34	LG2094	Retainer, hex lock	3
35	LG2095	Boss, hex lock	3
36	XBLG065801	Shift lock boss	1
37	XBLG065901	Gearbox boss (not shown)	4
38	XBLG0660	Gearbox boss, inside half (not shown)	1
39	N/A	Gearbox ass'y., complete (not shown)	1
40	LG0055	Sandshoe 10 x 10 x 4 1/2 (code 1)	2
41	LG007002	Axle, sandshoe	2
42	XBHHC05069	Screw, hex cap 3/8 16 x 3/4	2
43	LG213006	Crank (not shown)	1
44	N/A	Cross drive shaft (not shown)	1
45	LG0266	Strut bracket (not shown)	2
46	XBLG0085	Crank hanger (not shown)	1
47	XBPW01614	Thrust washer, L.H.	1